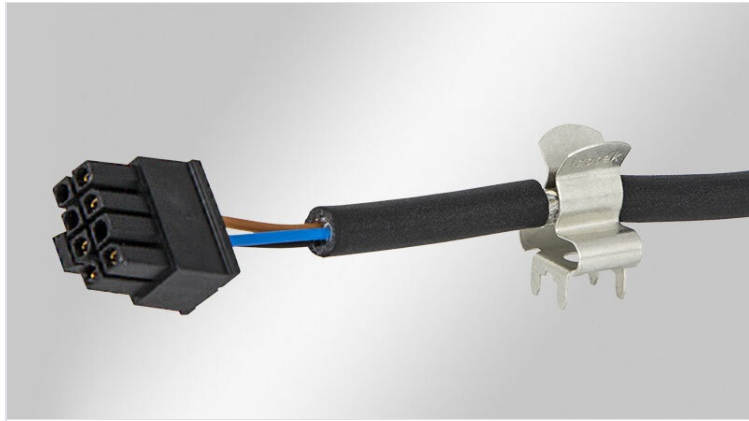


# EMC shield clamps for printed circuit boards

with soldering foot



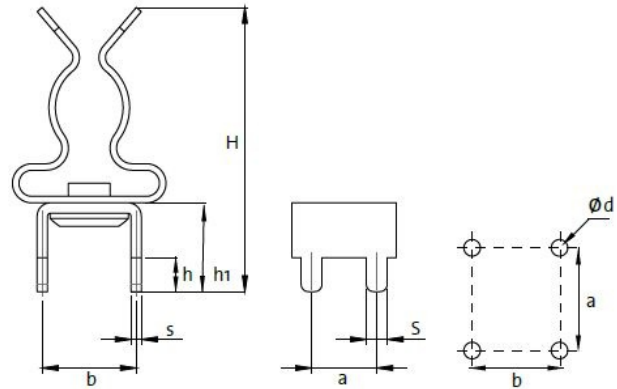
RoHS compliant



Made in Germany

EMC shield clamps are used, where the shield of cables must be connected to the earth potential. They are easy to use and effective in earthing single cable shields.

PCB|SKL consist of SKL clamps, fixed on a soldering foot that enables assembly on printed circuit boards. There are various designs to choose from.



## Specifications

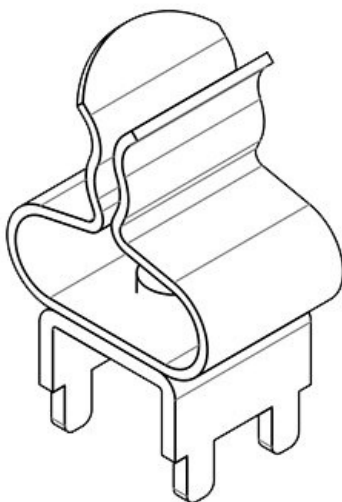
<b>Material</b>	Shield clamp: Spring steel, zinc plated Mounting foot: Brass, tinned
<b>Mounting options</b>	Soldering

## Advantages & benefits

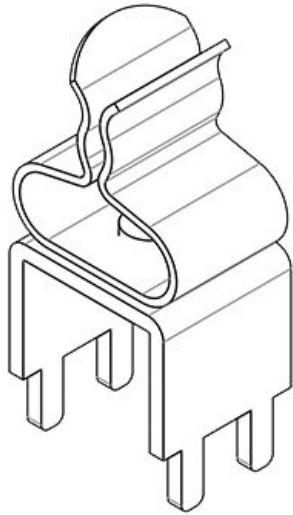
- The spring design requires no adjustments and will permanently maintain contact to the cable shield
- Large contact area

## Product types & sizes

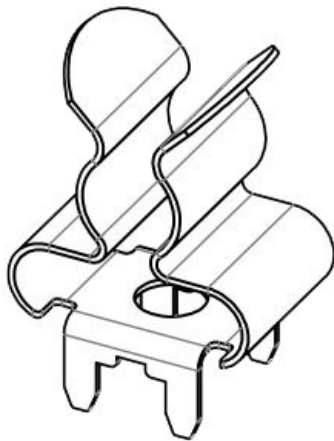
PCB-4-V-6.8|SKL 1.5-3



Part No.	<b>36650.1</b>	Length	<b>8 mm</b>
EAN	<b>4251269303</b>	Width	<b>11,8 mm</b>
	<b>128</b>	Height	<b>20 mm</b>
Package quantity	<b>10</b>	Mounting height	<b>13,2 mm</b>
No. of shield clamps	<b>1</b>	Thickness s	<b>1 mm</b>
For max. no. of 1 cables		Soldering foot height H	<b>6,8 mm</b>
Min. shield diam.	<b>1,5 mm</b>	Pin S	<b>1,6 mm</b>
Max. shield diam.	<b>3 mm</b>	Pin h	<b>2,6 mm</b>
		Grid a x b	<b>5 x 7.2 mm</b>
		Hole size	<b>1.8</b>

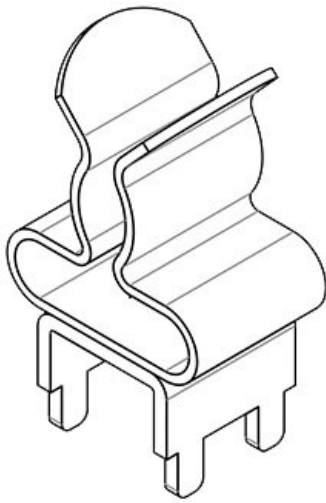


Part No.	<b>36656.1</b>	Length	<b>9,2 mm</b>
EAN	<b>4251269303</b>	Width	<b>11,8 mm</b>
	<b>159</b>	Height	<b>25 mm</b>
Package quantity	<b>10</b>	Mounting height	<b>21 mm</b>
No. of shield clamps	<b>1</b>	Thickness s	<b>1 mm</b>
For max. no. of cables	<b>1</b>	Soldering foot height H	<b>12,5 mm</b>
Min. shield diam.	<b>1,5 mm</b>	Pin S	<b>1,6 mm</b>
Max. shield diam.	<b>3 mm</b>	Pin h	<b>4 mm</b>
		Grid a x b	<b>5 x 10.1 mm</b>
		Hole size	<b>1.8</b>

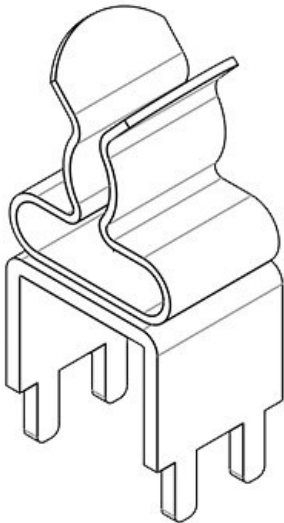


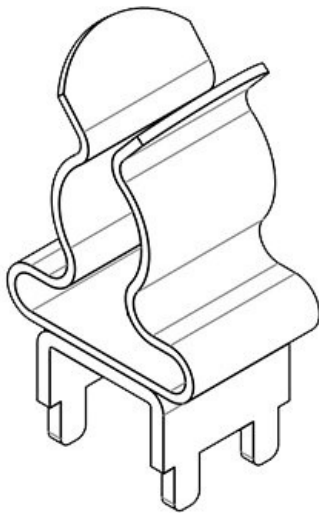
Part No.	<b>36653.1</b>	Length	<b>8 mm</b>
EAN	<b>4251269319</b>	Width	<b>11,8 mm</b>
	<b>273</b>	Height	<b>17,5 mm</b>
Package quantity	<b>25</b>	Mounting height	<b>14,9 mm</b>
No. of shield clamps	<b>1</b>	Soldering foot height H	<b>4,4 mm</b>
For max. no. of cables	<b>1</b>	Pin S	<b>1,6 mm</b>
Min. shield diam.	<b>3 mm</b>	Pin h	<b>2,6 mm</b>
Max. shield diam.	<b>6 mm</b>	Grid a x b	<b>5 x 7.2 mm</b>
		Hole size	<b>1.8</b>

Part No.	<b>36650.2</b>	Length	<b>8 mm</b>
EAN	<b>4251269303</b>	Width	<b>11,8 mm</b>
	<b>135</b>	Height	<b>20 mm</b>
Package quantity	<b>10</b>	Mounting height	<b>13,2 mm</b>
No. of shield clamps	<b>1</b>	Thickness s	<b>1 mm</b>
For max. no. of cables	<b>1</b>	Soldering foot height H	<b>6,8 mm</b>
Min. shield diam.	<b>3 mm</b>	Pin S	<b>1,6 mm</b>
Max. shield diam.	<b>6 mm</b>	Pin h	<b>2,6 mm</b>
		Grid a x b	<b>5 x 7.2 mm</b>
		Hole size	<b>1.8</b>

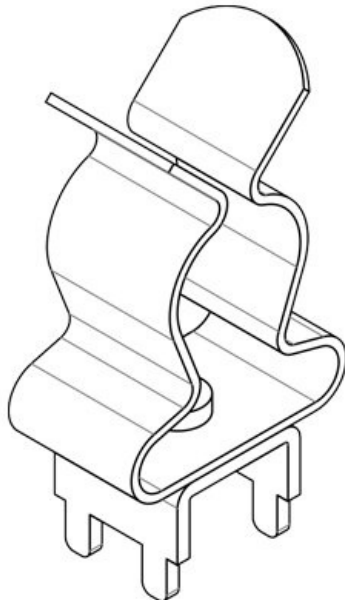


Part No.	<b>36656.2</b>	Length	<b>9,2 mm</b>
EAN	<b>4251269303</b>	Width	<b>11,8 mm</b>
	<b>166</b>	Height	<b>25 mm</b>
Package quantity	<b>10</b>	Mounting height	<b>21 mm</b>
No. of shield clamps	<b>1</b>	Thickness s	<b>1 mm</b>
For max. no. of cables	<b>1</b>	Soldering foot height H	<b>12,5 mm</b>
Min. shield diam.	<b>3 mm</b>	Pin S	<b>1,6 mm</b>
Max. shield diam.	<b>6 mm</b>	Pin h	<b>4 mm</b>
		Grid a x b	<b>5 x 10.1 mm</b>
		Hole size	<b>1.8</b>



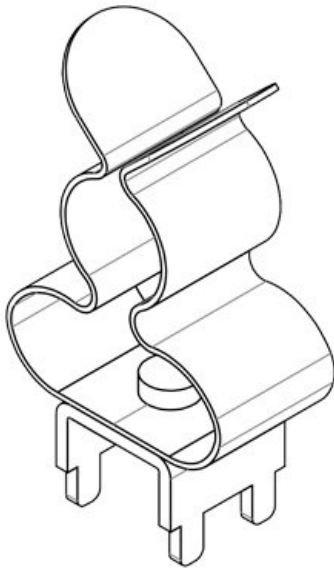


Part No.	<b>36650.3</b>	Length	<b>8 mm</b>
EAN	<b>4251269303</b>	Width	<b>11,8 mm</b>
	<b>142</b>	Height	<b>22 mm</b>
Package quantity	<b>10</b>	Mounting height	<b>15,2 mm</b>
No. of shield clamps	<b>1</b>	Soldering foot height H	<b>6,8 mm</b>
For max. no. of cables	<b>1</b>	Pin S	<b>1,6 mm</b>
Min. shield diam.	<b>6 mm</b>	Pin h	<b>2,6 mm</b>
Max. shield diam.	<b>8 mm</b>	Grid a x b	<b>5 x 7.2 mm</b>
		Hole size	<b>1.8</b>



Part No.	<b>36650.4</b>	Length	<b>8 mm</b>
EAN	<b>4251269334</b>	Width	<b>11,8 mm</b>
	<b>283</b>	Height	<b>27 mm</b>
Package quantity	<b>10</b>	Mounting height	<b>20,2 mm</b>
No. of shield clamps	<b>1</b>	Soldering foot height H	<b>6,8 mm</b>
For max. no. of cables	<b>1</b>	Pin S	<b>1,6 mm</b>
Min. shield diam.	<b>8 mm</b>	Pin h	<b>2,6 mm</b>
Max. shield diam.	<b>11 mm</b>	Grid a x b	<b>5 x 7.2 mm</b>
		Hole size	<b>1.8</b>

Part No.	<b>37306</b>	Length	<b>8 mm</b>
EAN	<b>4251269333</b>	Width	<b>11,8 mm</b>
	<b>279</b>	Height	<b>27 mm</b>
Package quantity	<b>10</b>	Mounting height	<b>20,2 mm</b>
No. of shield clamps	<b>1</b>	Soldering foot height H	<b>6,8 mm</b>
For max. no. of cables	<b>1</b>	Pin S	<b>1,6 mm</b>
Min. shield diam.	<b>3 mm</b>	Pin h	<b>2,6 mm</b>
Max. shield diam.	<b>12 mm</b>	Grid a x b	<b>5 x 7.2 mm</b>
		Hole size	<b>1.8</b>



Part No.	<b>36656.3</b>	Length	<b>9,2 mm</b>
EAN	<b>4251269303</b>	Width	<b>11,8 mm</b>
	<b>173</b>	Height	<b>27 mm</b>
Package quantity	<b>10</b>	Mounting height	<b>23 mm</b>
No. of shield clamps	<b>1</b>	Thickness s	<b>1 mm</b>
For max. no. of cables	<b>1</b>	Soldering foot height H	<b>12,5 mm</b>
Min. shield diam.	<b>6 mm</b>	Pin S	<b>1,6 mm</b>
Max. shield diam.	<b>8 mm</b>	Pin h	<b>4 mm</b>
		Grid a x b	<b>5 x 10.1 mm</b>
		Hole size	<b>1.8</b>

